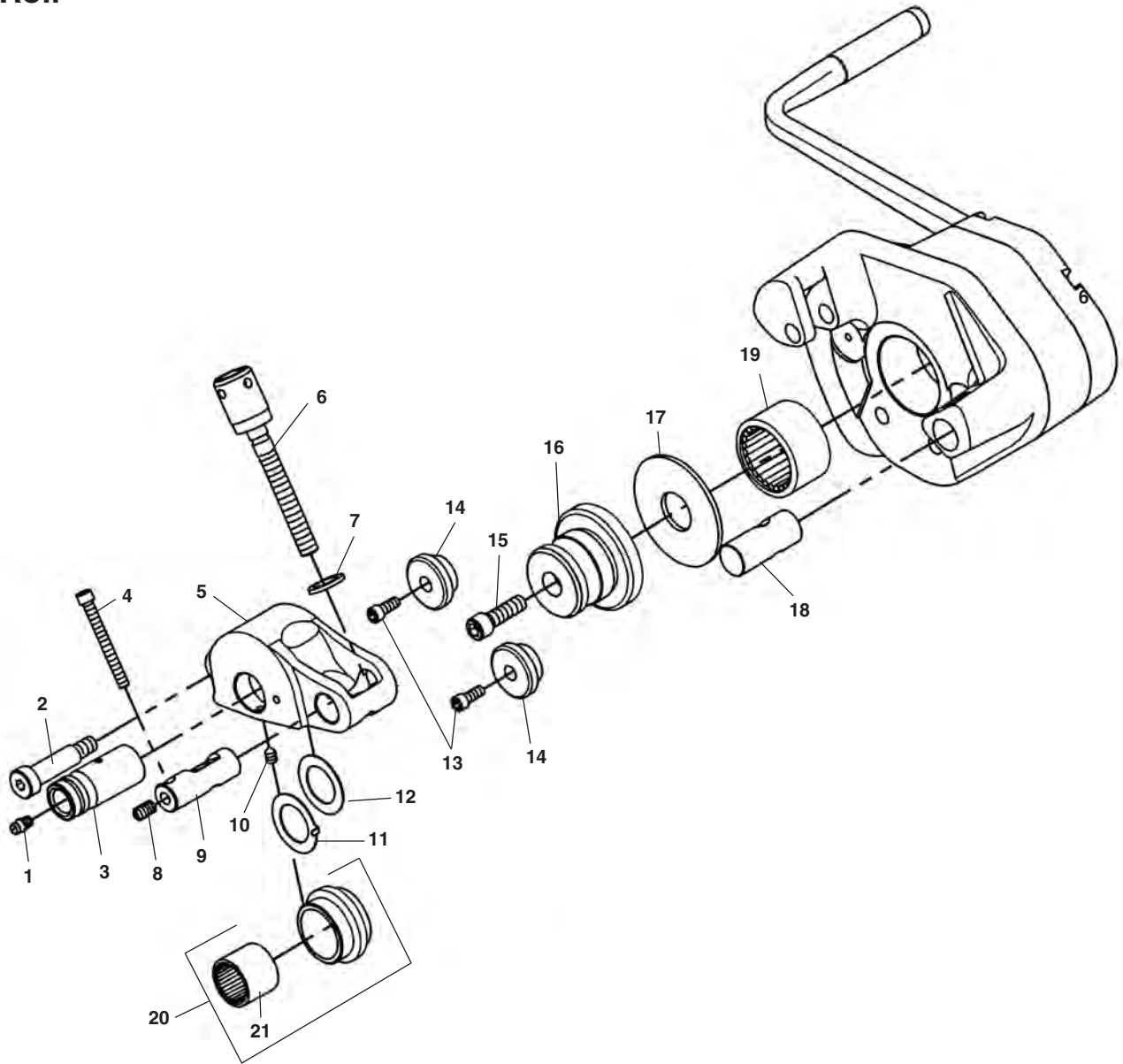


Drive Roll



**NOTE: Order parts by Catalog Number only.
DO NOT order by Reference Number.**

Ref. No.	Catalog No.	Description	Ref. No.	Catalog No.	Description
—	88232	915 Roll Groover	12	93652	Thrust Washer
1	46860	Grease Fitting (2)	13	32205	Screw, 1/4" - 20 x 5/8"
2	93602	Shoulder Screw	14	93752	Stabilizer, 2" - 6" (2)
3	93607	Groove Roll Pin		93867	Stabilizer, 8" - 12" (2)
4	93622	Screw, Socket Head, 1/4" - 20 x 2 1/4" (1)	15	46745	Hex Soc Cap Screw 3/8" - 16 x 1 1/4" (1)
5	93627	Reaction Arm	16	93757	Drive Roll 2" - 6" Sch. 10, 2" - 3 1/2" Sch. 40
6	93632	Feed Screw	17	93762	Drive Roll Thrust Washer
7	93657	Load Thrust Washer	18	93767	Pivot Nut Pin
8	93612	Ball Detente, 5/16" - 18 (1)	19	87610	Bearing, Roller
9	93617	Pivot Pin	20	93642	Groove Roll 2" - 6" Sch. 10, 2" - 3 1/2" Sch. 40
10	45192	Set Screw, Socket Head	21	45172	Bearing
11	93647	Locking Thrust Washer			